

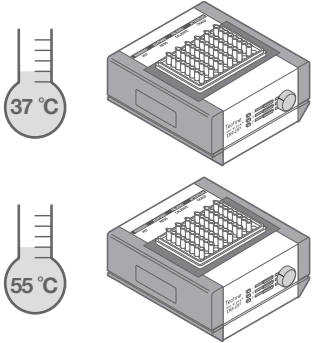
BAX[®] System

Ready Reference for Free DNA Cleanup Kit

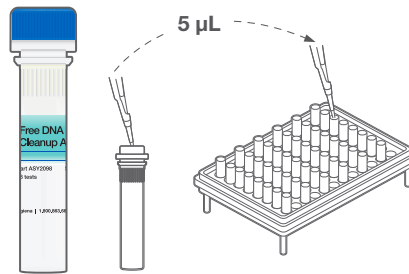


STAGE 1

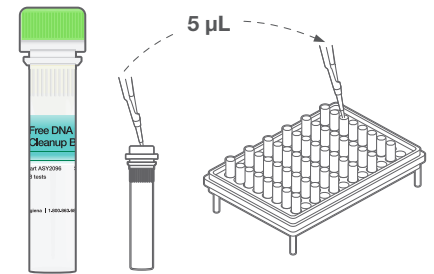
Before starting the procedure, ensure that heat blocks/incubators are set to 37 °C and 55 °C.



Add 5 µL of BAX[®] System DNA Cleanup Agent (Blue Cap)*.

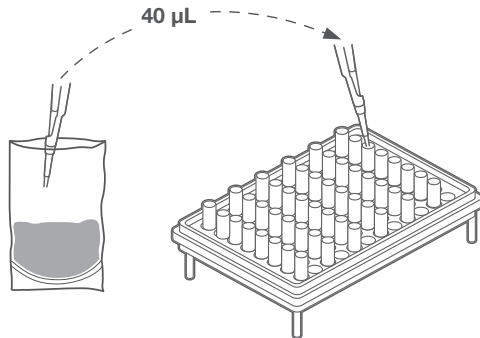


Add 5 µL of BAX System DNA Cleanup Buffer* (Green Cap).

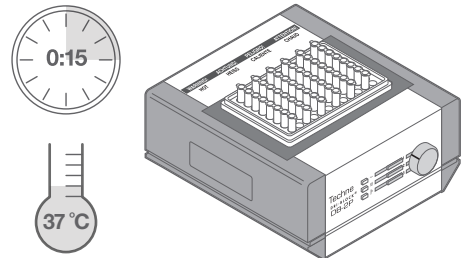


*If testing multiple samples at a time, a bulk solution comprising equal parts BAX System DNA Cleanup Agent and BAX System DNA Cleanup Buffer can be prepared in advance and stored at 2-8 °C for up to two weeks.

Add 40 µL enriched sample to cluster tube.

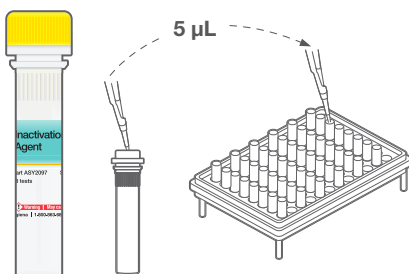


Cap the tubes and incubate tubes at 37 °C for 15 min.

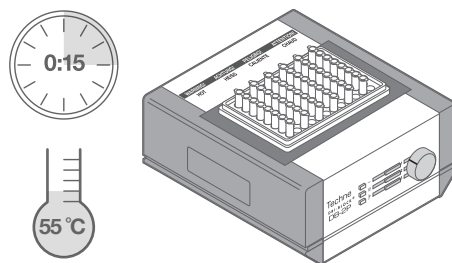


STAGE 2

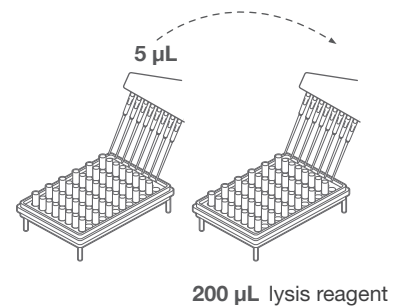
Remove tubes from the heat block/incubator. De-cap the tubes and add 5 µL of Inactivation Agent (Yellow Cap).



Cap the tubes and incubate tubes at 55 °C for 15 min.



Transfer 5 µL of the treated sample to 200 µL of lysis reagent and proceed with applicable BAX System lysis procedure.*



Add *20 µL for *E. coli* O157:H7 & STEC